

Design of a Novel Aircraft Open-path Cavity Ring-down Spectrometer

G. Adler^{1,2}, N.L. Wagner^{1,2}, B.J. Mason^{1,2}, M. Richardson^{1,2}, C. Brock², F. Erdesz^{1,2}, T. Gordon^{1,2} and D. Murphy²

¹Cooperative Institute for Research in Environmental Sciences (CIRES), University of Colorado, Boulder, CO 80309; 303-497-5940, E-mail: gabriela.adler@noaa.gov

²NOAA Earth System Research Laboratory, Chemical Sciences Division (CSD), Boulder, CO 80305

Aerosols and their effect on the radiative properties of clouds contribute one of the largest sources of uncertainty to the Earth's energy budget. Many current global assessments of atmospheric aerosol radiative forces rely heavily on remote sensing observation; therefore, *in situ* aircraft and ground-based measurements are essential for validation of remote sensing measurements. Cavity Ring-Down spectrometers (CRD) measure aerosol extinction and are commonly used to validate remote sensing observations. These instruments have been deployed on aircraft-based platforms over the years, thus providing the opportunity to measure these properties over large areas in various conditions. However, deployment of the CRD on an aircraft platform has drawbacks. Typically, aircraft-based CRDs draw sampled aerosol into a cabin-based instrument through long lengths of tubing. This limits the ability of the instrument to measure:

- 1) Course mode aerosols (e.g. dust)
- 2) Aerosols at high relative humidity (above 90%)

Here we describe the design of a novel aircraft-based open path CRD. The open path CRD is intended to be mounted external to the cabin and has no sample tubing for aerosol delivery, thus measuring optical properties of all aerosol at the ambient conditions. However, the design of an open path CRD for operation on a wing-mounted aircraft platform has certain design complexities. The instrument's special design features include 2 CRD channels, 2 airfoils around the open Path CRD and a configuration which could be easily aligned and rigid at the same time. This novel implementation of cavity ring-down spectroscopy will provide a better assessment of the accuracy of remote sensing satellite measurements.

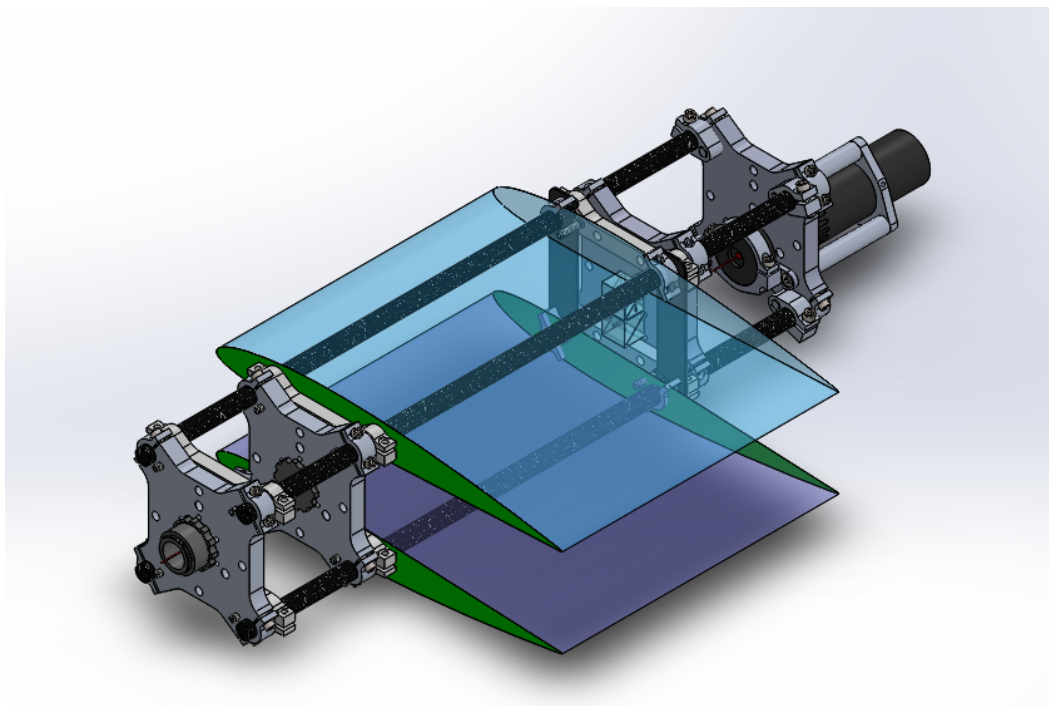


Figure 1. Drawing of the aircraft open-path cavity ring-down system