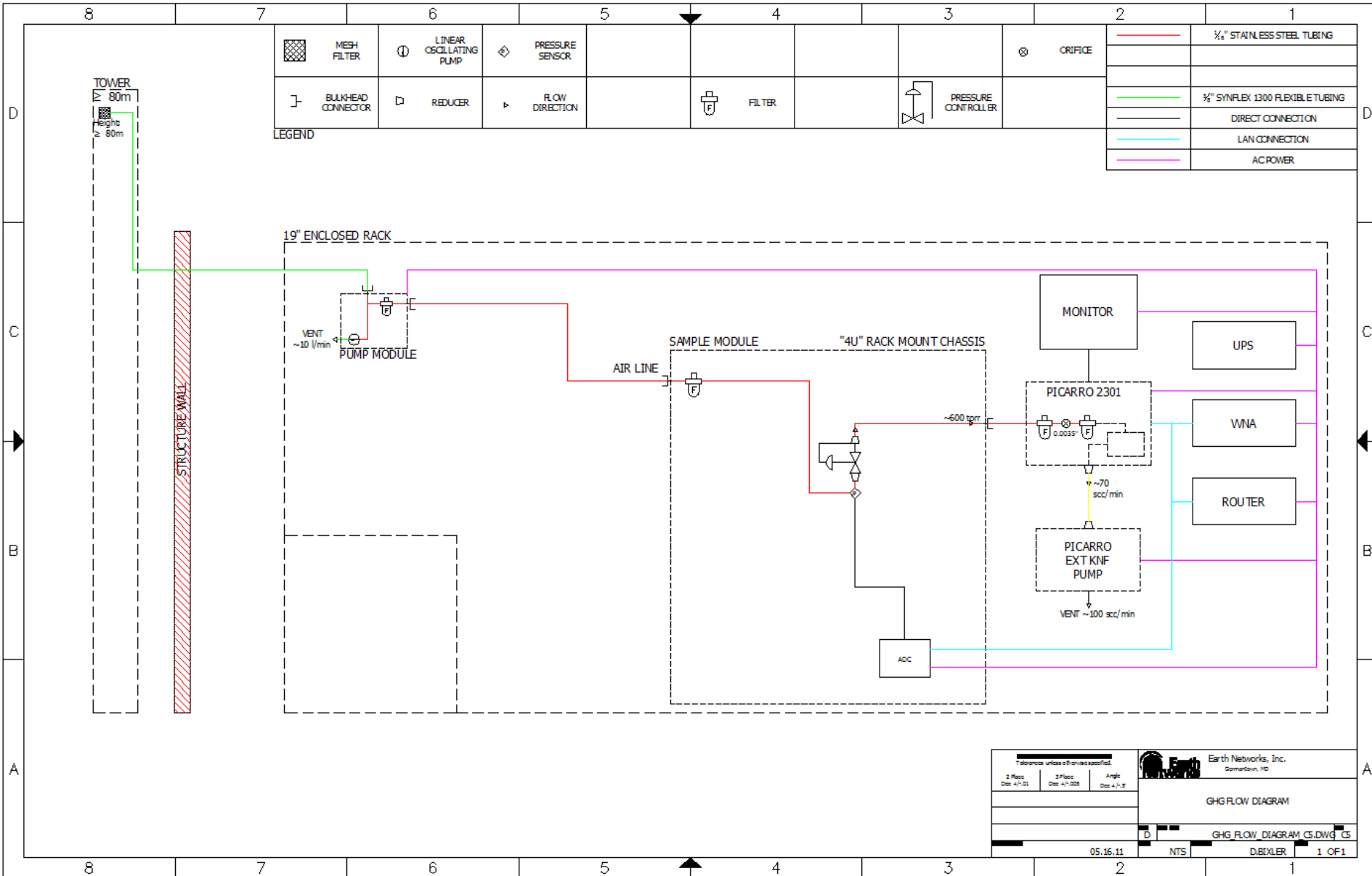




Measurement of Uncertainty

Stan Heckman

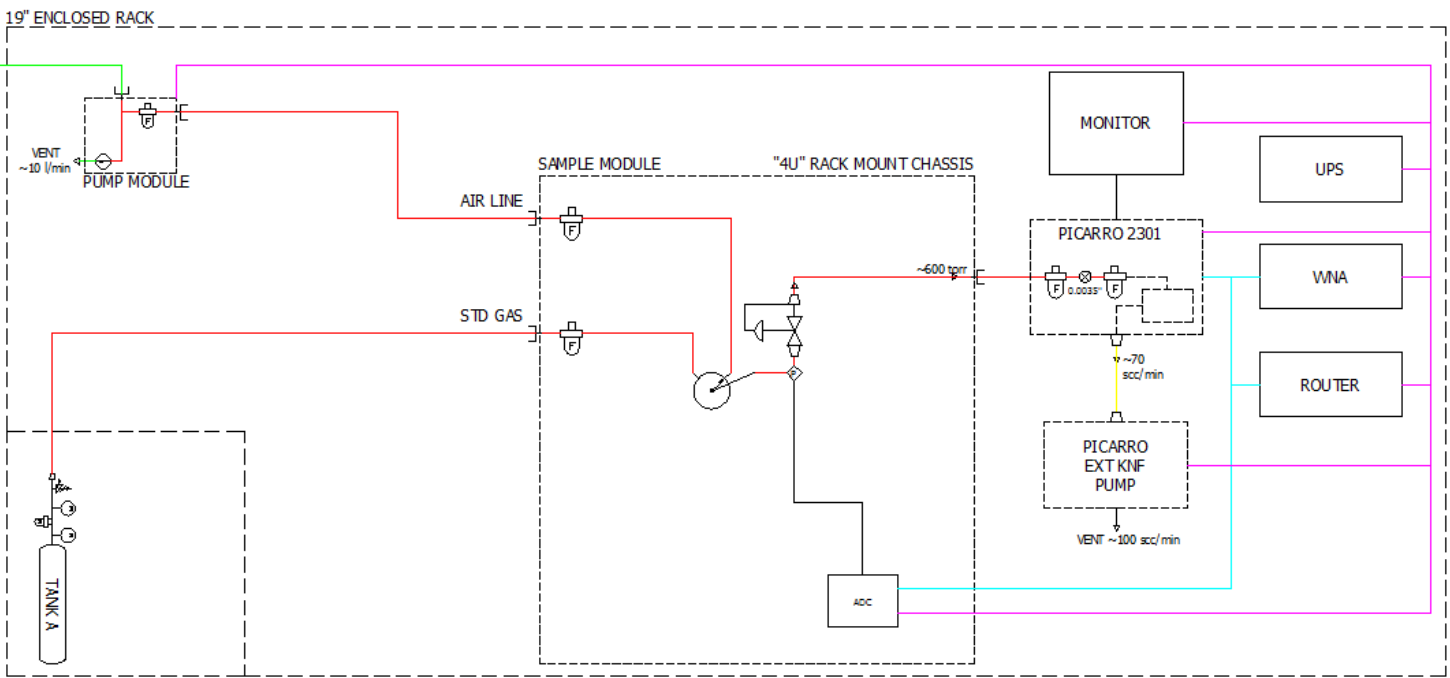


<small>Information subject to change without notice.</small>			Earth Networks, Inc. Somerset, NJ
2 Revs Oct 4/1/01	2 Places Oct 4/1/02	1 Angle Oct 4/1/01	
GHG FLOW DIAGRAM			GHG_FLOW_DIAGRAM (S.DWG) CS
05.16.11			
NTS			
D.BEXLER			1 OF 1

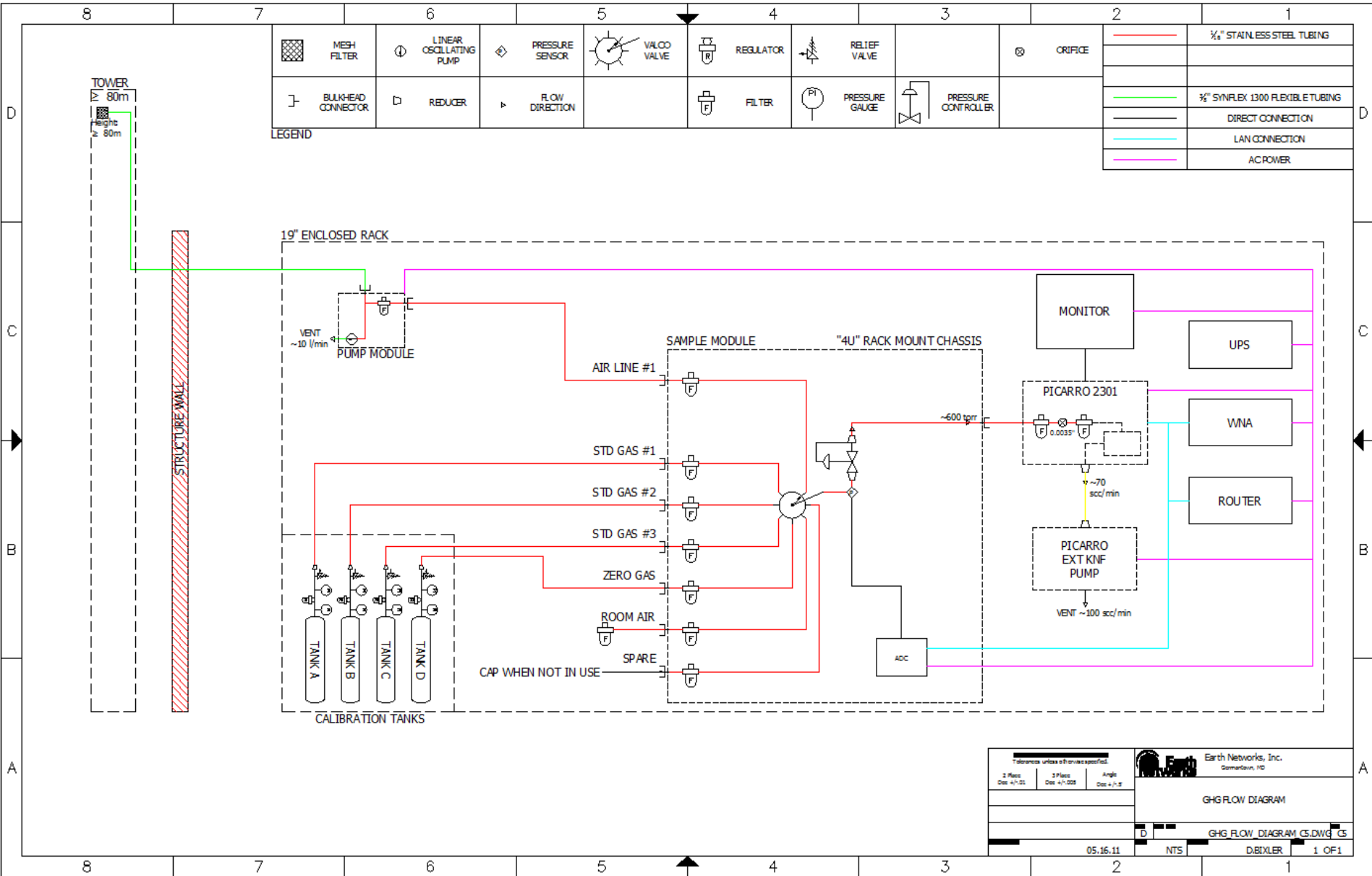
8	7	6	5	4	3	2	1	
LEGEND								DIRECT CONNECTION
								LAN CONNECTION
								AC POWER

TOWER
80m
Height
80m

STRUCTURE WALL



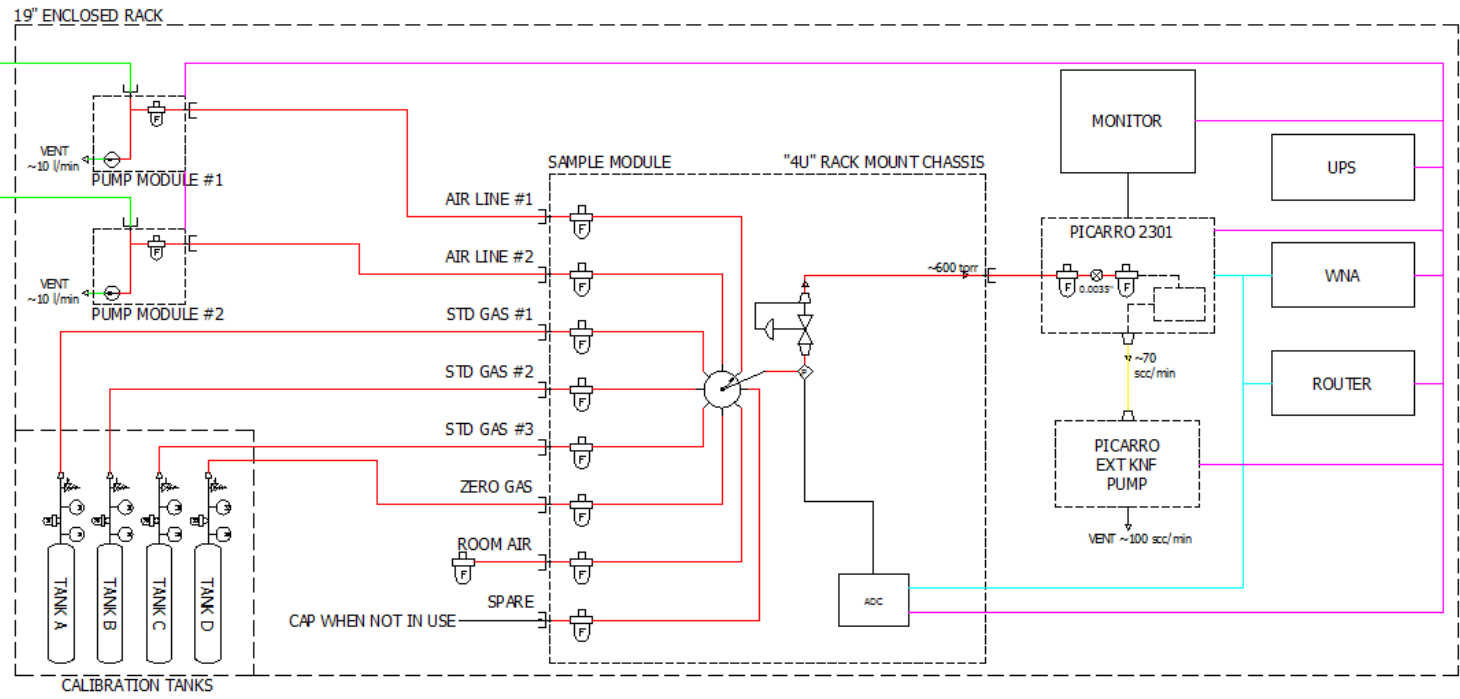
<small>Revisions unless otherwise specified.</small> 2 Revs. Date: 4/1/01 3 Files Date: 4/1/02 1 File Date: 4/1/03			 Earth Networks, Inc. Germantown, MD
GHG FLOW DIAGRAM			
D			GHG FLOW DIAGRAM (S.DWG) CS
05.16.11			NTS D.BEXLER 1 OF 1



8	7	6	5	4	3	2	1	
LEGEND								DIRECT CONNECTION
								LAN CONNECTION
								AC POWER

TOWER
 ≥ 80m
 Height: ≥ 80m
 Height: 70 - 80m

STRUCTURE WALL

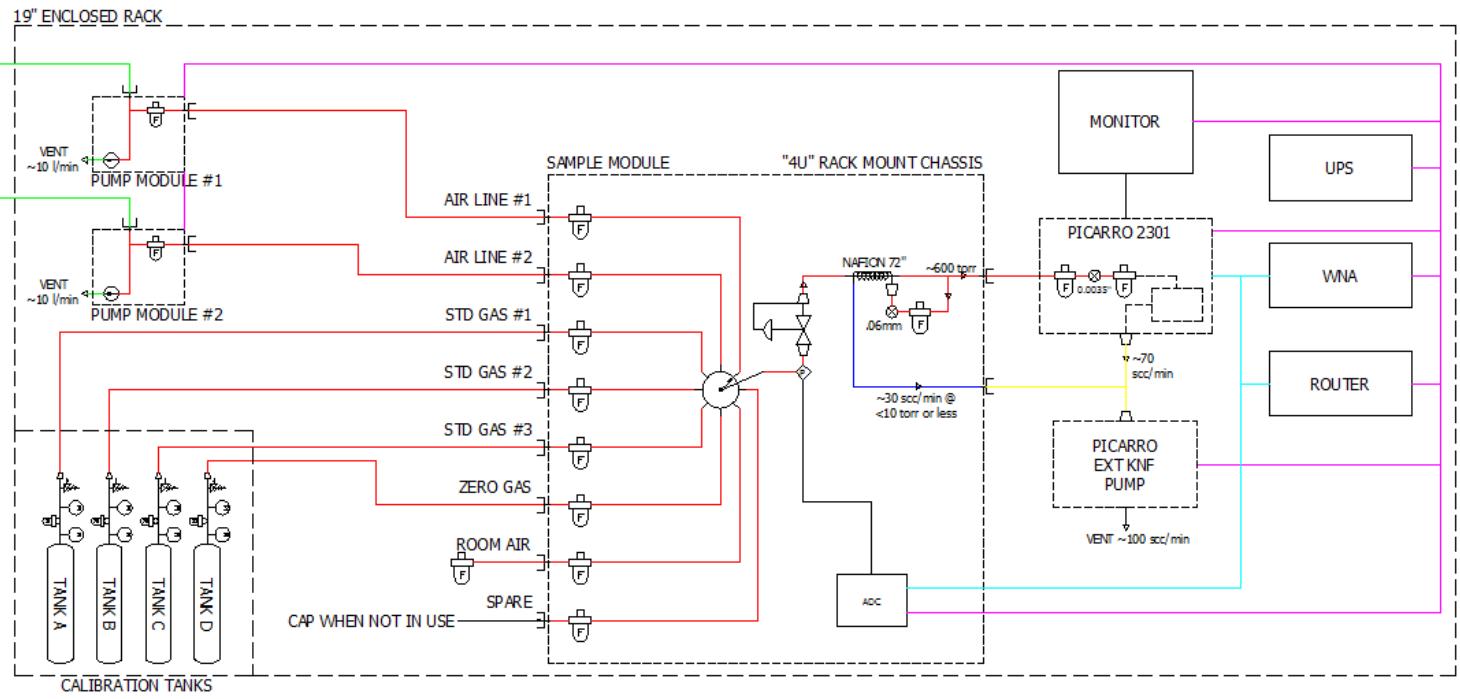


Tolerances unless otherwise specified				Earth Networks, Inc. Gannett, MD
2 Rec. Dec 4/1/01	SP Rec. Dec 4/1/05	Angle Dec 4/1/01	GHG FLOW DIAGRAM	
05.16.11				
D			GHG FLOW DIAGRAM CS.DWG CS	
NTS			D.BEXLER 1 OF 1	

8	7	6	5	4	3	2	1	
LEGEND								1/4" STAINLESS STEEL TUBING
								1/2" TUBING
								3/4" TUBING
								3/4" SYN FLEX 1300 FLEXIBLE TUBING
								DIRECT CONNECTION
								LAN CONNECTION
								AC POWER

TOWER
 ≥ 80m
 Height: ≥ 80m
 Height: 70 - 80m

STRUCTURE WALL

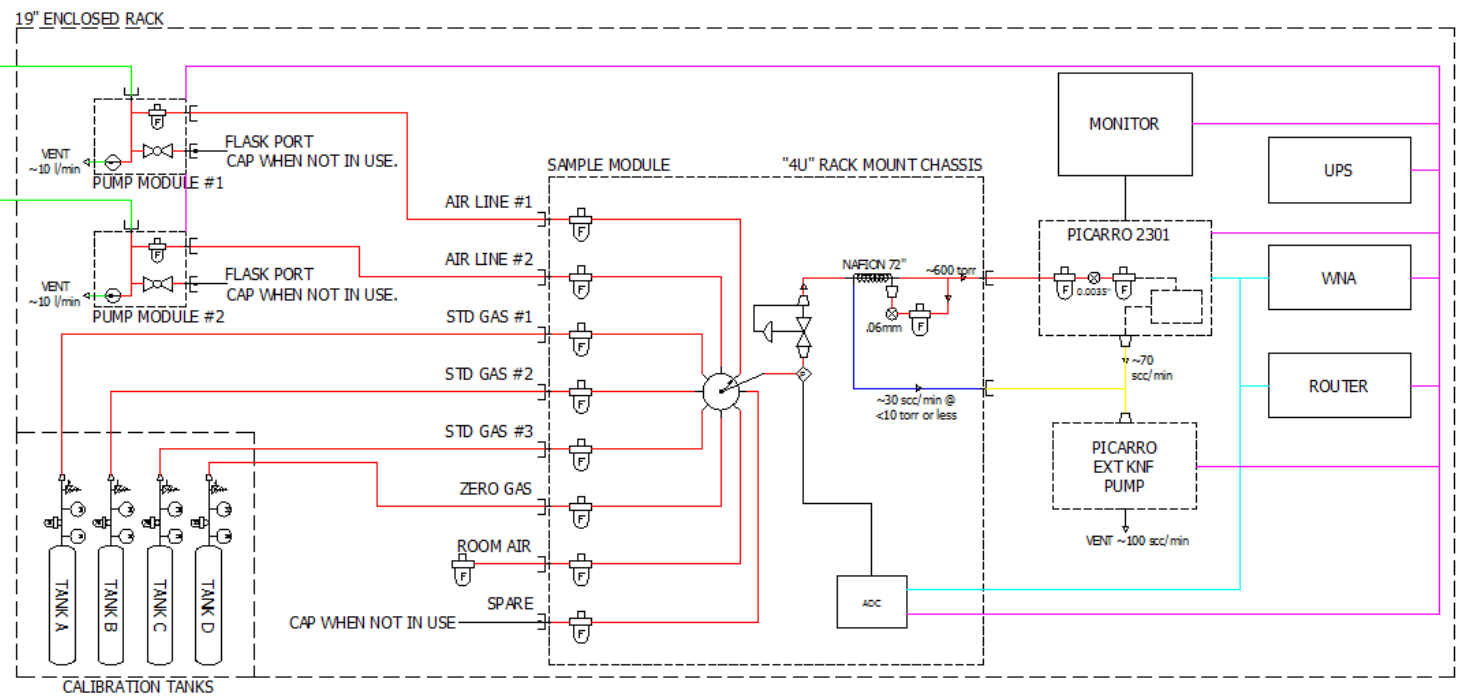


Tolerances unless otherwise specified.				Earth Networks, Inc. Somerset, NJ
2 Revs Date 4/1/11	3 Places Date 4/1/11	1 Angle Date 4/1/11	GHG FLOW DIAGRAM	
			D	GHG FLOW DIAGRAM (S.DWG) CS
05.16.11			NTS	D.BEXLER 1 OF 1

	MESH FILTER		LINEAR OSCILLATING PUMP		PRESSURE SENSOR		VALCO VALVE		REGULATOR		RELIEF VALVE		NAFION DRYER 72"		ORIFICE		1/4" STAINLESS STEEL TUBING
	BULKHEAD CONNECTOR		REDUCER		FLOW DIRECTION		SHUT-OFF VALVE		FILTER		PRESSURE GAUGE		PRESSURE CONTROLLER				1/2" TUBING
																	3/4" TUBING
																	1/2" SYNFLEX 1300 FLEXIBLE TUBING
																	DIRECT CONNECTION
																	LAN CONNECTION
																	AC POWER

TOWER
 Height: > 80m
 Height: 70 - 80m

STRUCTURE WALL



Earth Networks, Inc. Gamartain, ND		
2 Flats Dec 4/1/01	2 Flats Dec 4/1/02	4 Flats Dec 4/1/03
GHG FLOW DIAGRAM		
D GHG_FLOW_DIAGRAM_CS.DWG CS		
05.16.11 NTS D.BIXLER 1 OF 1		