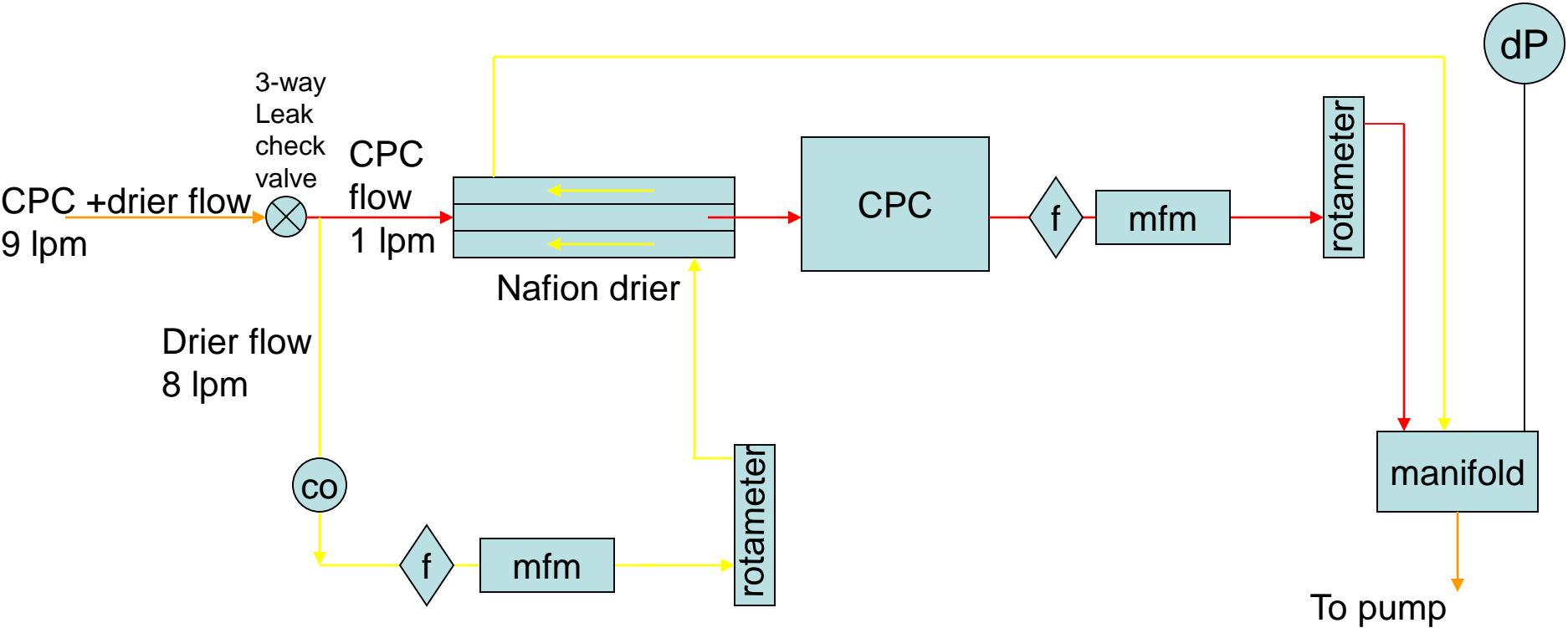


# Original CPC Box schematic



- co Critical orifice
- f Filter
- mfm Mass flow meter
- dP Pressure gauge

